

**Product Code:**

LPL

**Product Range:**

Lighting Trunking

**Issue Date:**

9/4/2026

**Description:**

White Plastic Lid For Lighting Trunking (2m Length)

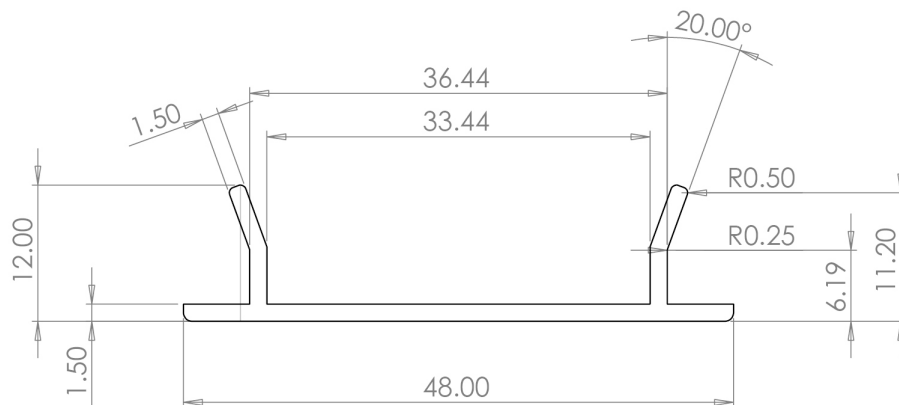
**Features:**

- A ?Snap-on? lid trunking system for fast, tool free installations.

**Technical:****Product Type** Lighting Trunking Lid**Width** 50mm**Length** 2000mm**Weight** 0.28 Kgs**Material** PVC**Colour/Finish** White**Standards** BS EN 10346:2015**Important:**

To ensure optimal performance and safety, trunking must be installed so that the lid does not bear any cable weight. Incorrect installation may affect the integrity of the system and is not recommended.

The approximate weights given are for pre-galvanised finish only, in kilograms (nominal) and subject to material thickness tolerance.



Tamlex | Harcourt | Halesfield 15 | Telford | Shropshire | TF7 4ER

T: 01952 586689 E: sales@tamlex.co.uk W: www.tamlex.co.uk