

**Product Code:**

RC44-22

**Product Range:**Cable Trunking, Standard  
Trunking Accessories**Issue Date:**

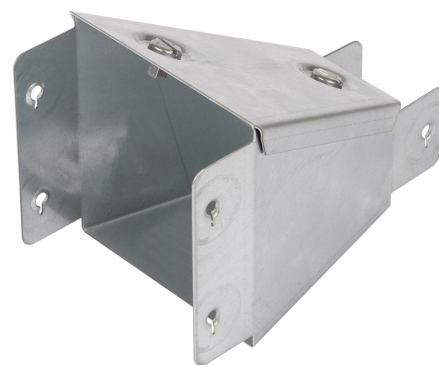
26/6/2026

**Description:**

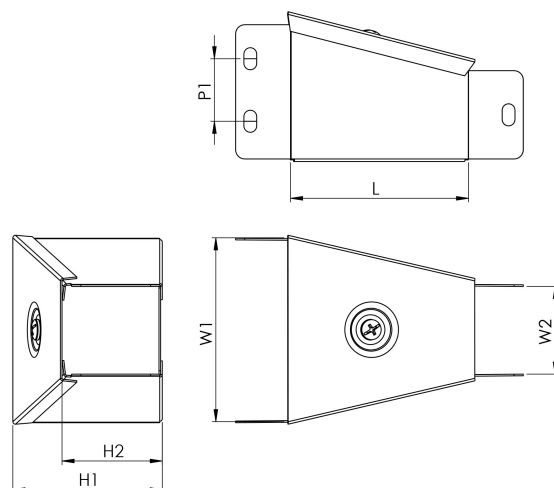
100x100mm To 50x50mm Reducer

**Features:**

- Tamlex offers a comprehensive range of trunking accessories.
- All reducers are supplied with built-in threaded couplers to allow them to be fitted directly to the trunking using an M6 screw.
- All lids are secured using 'Bridge Pieces'.
- Multi Compartment trunking and accessories available.
- Special sizes and bespoke designs are available upon request.
- Tamperproof lid fixing option available on request.
- Can be powder coated to customer specific RAL colour.
- Manufactured to allow retrofit installation of our IP4X system. (Sold Separately).

**Technical:****Product Type** Reducer**Width** Reduce 100mm x 100mm**Height** To 50mm x 50mm**Number of Compartments****Material** Pre-Galvanised Steel (Zinc Coated)**Colour/Finish** Self Colour**Standards** BS EN 50085-2-1 2006; BS EN 10346:2015

The approximate weights given are for pre-galvanised finish only, in kilograms (nominal) and subject to material thickness tolerance.



Tamlex | Harcourt | Halesfield 15 | Telford | Shropshire | TF7 4ER

**T:** 01952 586689 **E:** sales@tamlex.co.uk **W:** www.tamlex.co.uk