

**Product Code:**

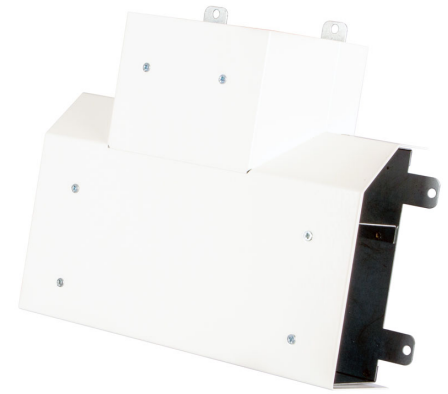
SSK62TUR/W

**Product Range:**Perimeter Trunking, Security  
Skirting Trunking**Issue Date:**

28/4/2026

**Description:**150mm x 60mm Chamfered Skirting Flat Tee (Right Upwards)  
- 2 Compartment**Features:**

- Our secure system has been specifically designed for durability and the ease of installation
- An extensive range of multi compartment steel perimeter trunking available in both square dado and chamfered skirting profiles available in 2 and 3 compartment which offers the end user a quick and easy to fit system
- This range combines excellent screening capability and clean design with superior mechanical strength, making it the ideal solution for high traffic environments such as hospitals, laboratories and universities
- The dividers are provided with 20mm knock-outs every 100mm for easy access between partitions
- All surface lid are supplied powder coated white to RAL 9016 but a wide variety of colours are available for that high quality finish.
- The powder coating not only offers an attractive finish but is also highly resilient to damage during use and installation.
- The lid is also available in a self-colour galvanised finish for that more industrial look if required or where on-site coating is required
- Powder coating is low smoke zero halogen
- All Dado and Skirting trunking lengths are supplied complete with lid, joint covers and fixing screws
- Earth links are not included and should be ordered separately
- Compliance: Cat6a

**Technical:****Product Type** Flat Tee**Depth** 60mm**Height** 150mm**Weight** 1.78 Kgs**Number of Compartments****Gauge** 1.2mm Lid +/- Nominal Tolerance**Material** Pre-Galvanised Steel (Zinc Coated)**Colour/Finish** White (RAL 9016)**Standards** BS EN 10346:2015**Compliance** Category 6a**Supplied With** M6 Tamperproof Fixings and Bridge**Pack Quantity** Each**Extra Information**

The orientation of the trunking is determined by the top compartment.

The approximate weights given are for pre-galvanised finish only, in kilograms (nominal) and subject to material thickness tolerance.

**Important:**

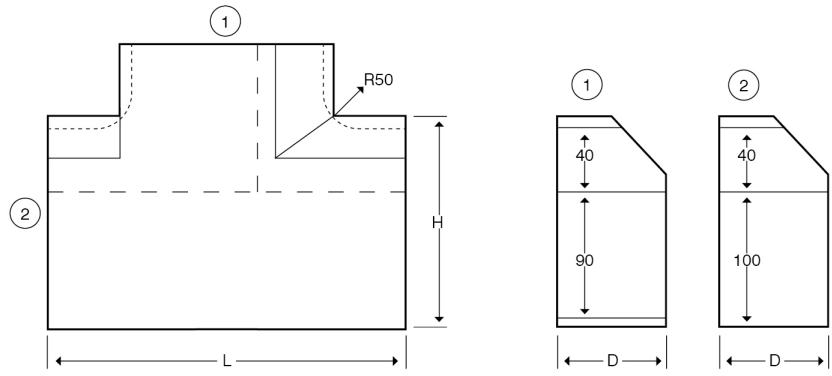
cover straps and accessories.

Tamlex | Harcourt | Halesfield 15 | Telford | Shropshire | TF7 4ER

**T:** 01952 586689 **E:** sales@tamlex.co.uk **W:** www.tamlex.co.uk



# Tamlex Data Sheet



Tamlex | Harcourt | Halesfield 15 | Telford | Shropshire | TF7 4ER

**T:** 01952 586689 **E:** sales@tamlex.co.uk **W:** www.tamlex.co.uk