

**Product Code:**

MHF/300/ZM

Product Range:Cable Tray, Zinc Magnesium,
Heavy Duty**Issue Date:**

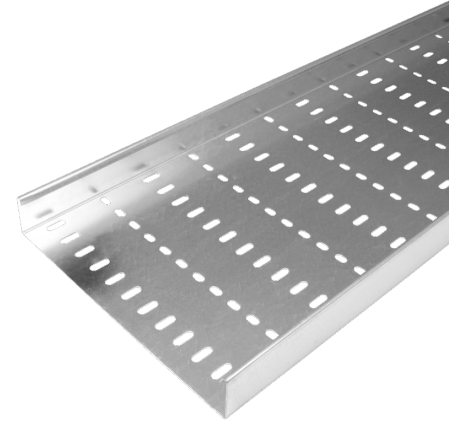
10/6/2026

**Description:**

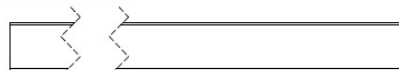
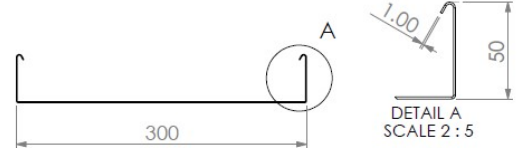
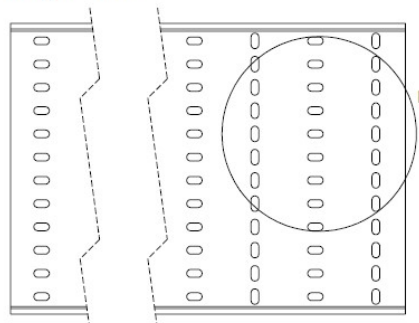
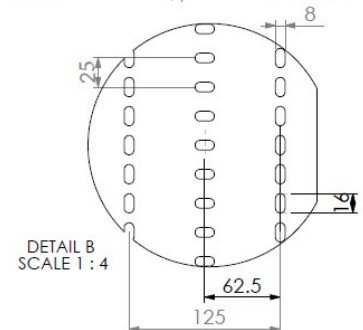
300mm Heavy Duty ZM Cable Tray (3m Length)

Features:

- 50mm Return Flange.
- All Heavy Duty cable tray supplied as 3 metre lengths up to 900mm wide.
- Available in 3 standard designs of cable tray to suit individual applications.
- Distinctive hole pattern designed to provide maximum flexibility for the installer without compromising strength.
- Manufactured from Zinc Magnesium steel to BS EN 10346:2015.
- Special sizes and bespoke designs are available upon request.
- Lid for cable tray available upon request.
- Solid (plain) cable tray available upon request.
- Can be powder coated to customer specific RAL colour.

**Technical:****Product Type** Cable Tray**Width** 300mm**Height** 50mm**Length** 3000mm**Weight** 8.91 Kgs**Gauge** Heavy Duty**Material** Zinc Magnesium Steel ZM310**Colour/Finish** Self Colour**Standards** BS EN 61537:2007; BS EN 10346:2015

The approximate weights given are for pre-galvanised finish only, in kilograms (nominal) and subject to material thickness tolerance.

Dimensions**Length = 3m**DETAIL A
SCALE 2 : 5DETAIL B
SCALE 1 : 4

Tamlex | Harcourt | Halesfield 15 | Telford | Shropshire | TF7 4ER

T: 01952 586689 **E:** sales@tamlex.co.uk **W:** www.tamlex.co.uk