

**Product Code:**

TS21P-3B2B/ZM

**Product Range:**

Strut Channel &amp; Support, Zinc Magnesium, Strut Channel

**Issue Date:**

30/4/2026

**Description:**

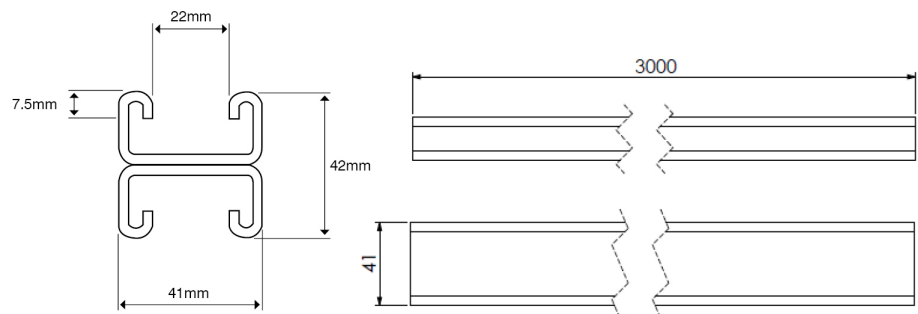
41mm x 21mm Zinc Magnesium Plain Channel (3m Length)  
Back To Back

**Features:**

- Plain and Slotted channel available.
- Rigid construction for a wide variety of applications.
- Manufactured from structural grade zinc magnesium steel strip to BS EN 10346:2015.
- Channel available in both structural grade 2.5mm and light duty 1.5mm gauge.
- Supplied in 3 metre length.
- Wide range of external brackets available for use with strut frame work.
- Tamlex strut framework can be ordered pre-cut to any length to suit customer requirements.
- Can be powder coated to customer specific RAL colour.

**Technical:****Product Type** Strut Channel**Width** 41mm**Height** 42mm**Length** 3000mm**Weight** 8.28 Kgs**Gauge** 2.5mm**Material** Zinc Magnesium Steel ZM310**Colour/Finish** Self Colour**Standards** BS 6946:1988

The approximate weights given are for pre-galvanised finish only, in kilograms (nominal) and subject to material thickness tolerance.



Tamlex | Harcourt | Halesfield 15 | Telford | Shropshire | TF7 4ER

**T:** 01952 586689 **E:** sales@tamlex.co.uk **W:** www.tamlex.co.uk



# Tamlex Data Sheet

## Plain 41x21x2.5 thk. (Mass 1.81kg/m)

Beam Span (mm)	Ultimate Loading		Limit Def. Span/200		Limit Def. Span/360	
	Total Applied Load (kg)	Total Def. (mm)	Applied UDL (kg)	Total Def. (mm)	Applied UDL (kg)	Total Def. (mm)
250	547.3	0.4				
500	273.0	1.8			213.0	1.4
750	181.4	4.0	169.8	3.8	93.7	2.1
1000	135.3	7.1	94.5	5.0	51.7	2.8
1250	107.6	11.1	59.4	6.3	32.0	3.5
1500	88.9	16.1	40.1	7.5	21.1	4.2
1750	75.5	21.9	28.3	8.8	14.3	4.9
2000	65.3	28.6	20.4	10.0	9.8	5.6
2250	57.3	36.3	14.9	11.3	6.5	6.3
2500	50.8	44.9	10.9	12.5	4.0	6.9
2750	45.4	54.4	7.8	13.8	2.1	7.6
3000	40.9	64.9	5.3	15.0	0.5	8.3
3250	37.0	76.4	3.2	16.3		
3500	33.6	88.9	1.5	17.5		
3750	30.6	102.3	0.1	18.8		
4000	27.9	116.8				
4250	25.5	132.3				
4500	23.3	148.8				
4750	21.3	166.4				
5000	19.5	185.1				
5250	17.8	204.9				
5500	16.2	225.8				
5750	14.7	247.9				
6000	13.3	271.2				



Load, Span & Deflection Graph

Tamlex | Harcourt | Halesfield 15 | Telford | Shropshire | TF7 4ER

T: 01952 586689 E: sales@tamlex.co.uk W: www.tamlex.co.uk