

**Product Code:**

MCT18

Product Range:

Cable Tray, Pre Galvanised, Light Duty

Issue Date:

17/4/2026

Description:

450mm Light Duty Straight Edge Cable Tray (3m Length)

Features:

- 10mm Straight Edge.
- All Light Duty cable tray supplied as 3 metre lengths up to 450mm wide.
- Available in 3 standard designs of cable tray to suit individual applications.
- Distinctive hole pattern designed to provide maximum flexibility for the installer without compromising strength.
- All light duty tray has a notched end eliminating the need for a separate coupler.
- Manufactured from zinc coated galvanised steel to BS EN 10346:2015.
- Special sizes and bespoke designs are available upon request.
- Lid for cable tray available upon request.
- Solid (plain) cable tray available upon request.
- Can be powder coated to customer specific RAL colour.

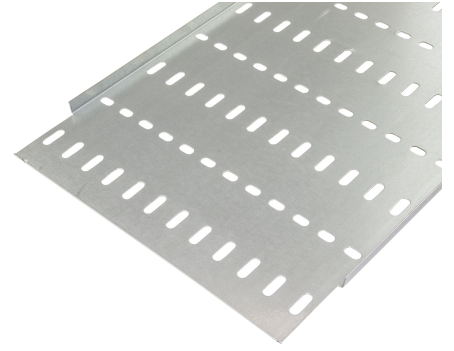
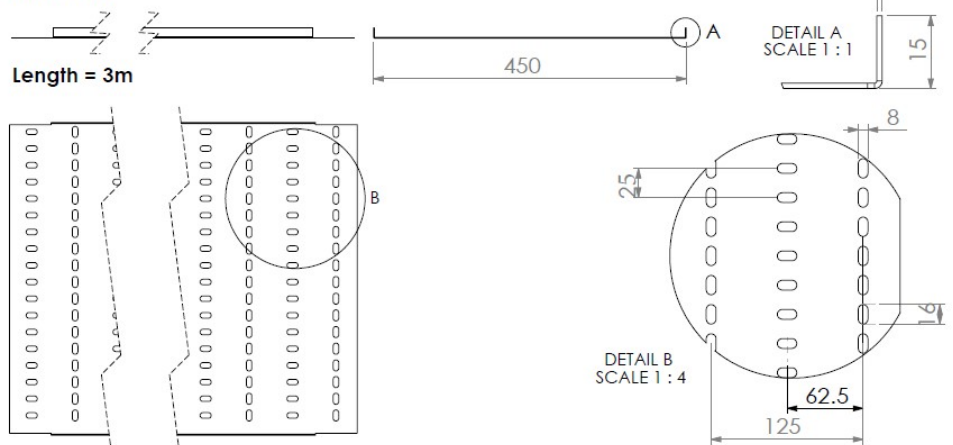


Image for illustrative purposes only

Technical:**Product Type** Cable Tray**Width** 450mm**Height** 10mm**Weight** 11.70 Kgs**Gauge** Light Duty**Material** Pre-Galvanised Steel (Zinc Coated)**Colour/Finish** Self Colour**Standards** BS EN 61537:2007; BS EN 10346:2015

The approximate weights given are for pre-galvanised finish only, in kilograms (nominal) and subject to material thickness tolerance.

Dimensions

Tamlex | Harcourt | Halesfield 15 | Telford | Shropshire | TF7 4ER

T: 01952 586689 E: sales@tamlex.co.uk W: www.tamlex.co.uk