

**Product Code:**

MMF/600/ZM

Product Range:Cable Tray, Zinc Magnesium,
Medium Duty**Issue Date:**

26/4/2026

**Description:**

600mm Medium Duty ZM Cable Tray (3m Length)

Features:

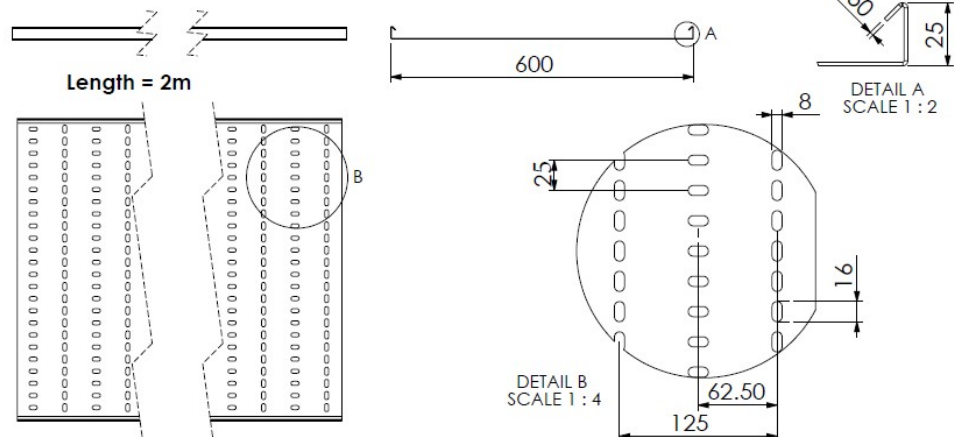
- 25mm Return Flange.
- All Medium Duty cable tray supplied as 3 metre lengths up to 600mm wide.
- Available in 3 standard designs of cable tray to suit individual applications.
- Distinctive hole pattern designed to provide maximum flexibility for the installer without compromising strength.
- Manufactured from Zinc Magnesium steel to BS EN 10346:2015.
- Special sizes and bespoke designs are available upon request.
- Lid for cable tray available upon request.
- Solid (plain) cable tray available upon request.
- Can be powder coated to customer specific RAL colour.



Image for illustrative purposes only

Technical:**Product Type** Flat Bend**Width** 600mm**Height** 25mm**Length** 3000mm**Weight** 21.30 Kgs**Gauge** Medium Duty**Material** Zinc Magnesium Steel ZM310**Colour/Finish** Self Colour**Standards** BS EN 61537:2007; BS EN 10346:2015

The approximate weights given are for pre-galvanised finish only, in kilograms (nominal) and subject to material thickness tolerance.

Dimensions

Tamlex | Harcourt | Halesfield 15 | Telford | Shropshire | TF7 4ER

T: 01952 586689 E: sales@tamlex.co.uk W: www.tamlex.co.uk