

**Product Code:**

MOR/900/90/300/G

Product Range:Medium Duty Accessories, Ladder
Rack, Medium Duty**Issue Date:**

3/5/2026

Description:900mm 90° Outside Riser R300 For Medium Duty Ladder
HDG**Features:**

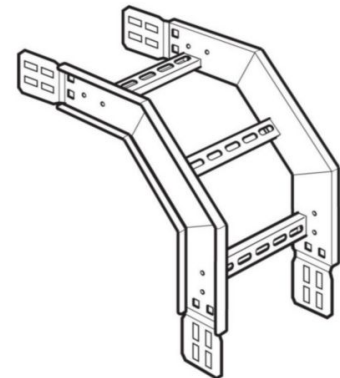
- Manufactured from the same HDG steel as straight lengths for consistent strength and corrosion protection.
- Designed to maintain uniform rung spacing and alignment throughout changes in direction.
- Precision-formed profiles ensure accurate fit with adjacent components.
- All fittings have integral coupling tabs and fishplates.
- Internal and external radius options available to suit different bend requirements.
- Ideal for routing around structural obstacles or changing cable direction cleanly.

Technical:**Product Type** Outside Riser**Width** 900mm**Height** 100mm**Weight** 6.10 Kgs**Angle** 90°**Diameter** 300mm Radius**Gauge** 1.5mm**Material** Post Hot-Dipped Galvanised (HDG)**Colour/Finish** Self Colour**Standards** BS EN ISO 1461:2009

The approximate weights given are for pre-galvanised finish only, in kilograms (nominal) and subject to material thickness tolerance.

**Important:**

HDG ladders are suitable for internal and external use, including light industrial and coastal environments. Ensure cut edges or drilled holes are treated with a suitable zinc-rich paint or similar to maintain corrosion protection.



Tamlex | Harcourt | Halesfield 15 | Telford | Shropshire | TF7 4ER

T: 01952 586689 E: sales@tamlex.co.uk W: www.tamlex.co.uk