

**Product Code:**

PHF/LC/ZM

**Product Range:**Cable Tray, Zinc Magnesium,  
Heavy Duty Accessories**Issue Date:**

25/4/2026

**Description:**

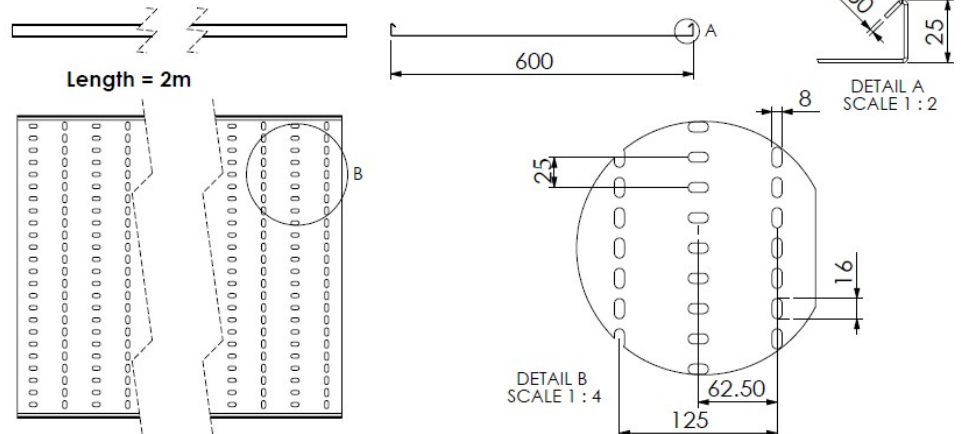
Push On Retaining Heavy Duty Lid Clip (Pairs)

**Features:**

- 50mm Return Flange.
- All Heavy Duty cable tray supplied as 3 metre lengths up to 900mm wide.
- Available in 3 standard designs of cable tray to suit individual applications.
- Manufactured from Zinc Magnesium steel to BS EN 10346:2015.
- Special sizes and bespoke designs are available upon request.
- Solid (plain) cable tray available upon request.
- Can be powder coated to customer specific RAL colour.

**Technical:****Product Type** Cable Tray Lids**Height** 50mm**Weight** 0.20 Kgs**Gauge** Heavy Duty**Material** Zinc Magnesium Steel ZM310**Colour/Finish** Self Colour**Standards** BS EN 61537:2007; BS EN 10346:2015**Pack Quantity** Pairs

The approximate weights given are for pre-galvanised finish only, in kilograms (nominal) and subject to material thickness tolerance.

**Dimensions**

Tamlex | Harcourt | Halesfield 15 | Telford | Shropshire | TF7 4ER

T: 01952 586689 E: sales@tamlex.co.uk W: www.tamlex.co.uk