

# Product Data Sheet

Product Code:

Issue No.

Issue Date:

Issue by:

**TC103-15**

**A**

**03.10.09**

**D.B.P**

Description

**Light Duty Cantilever Arm Support - 150mm**

## Features

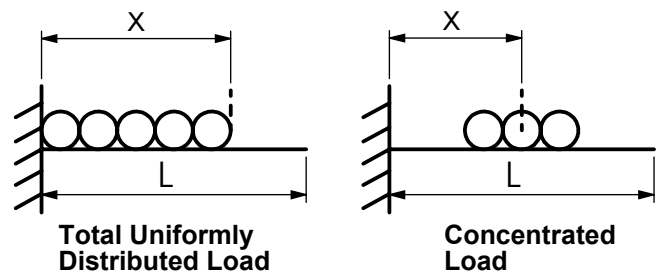
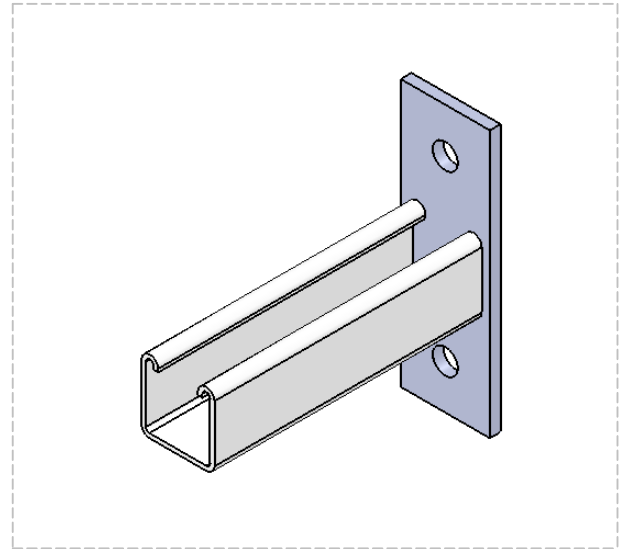
Brackets are designed to comply with BS6946

Manufactured from 6mm thick steel

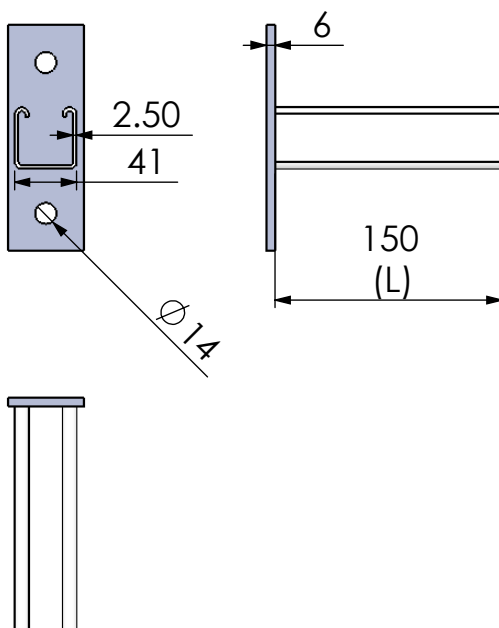
Special Finish: All channel brackets are post hot dipped galvanised to BS729

## General Characteristics

Material	Low carbon steel strip (BSEN10142:2000)
Finish	Hot Dipped Zinc
Cantilever Arm	41 x 41mm strut 2.5mm channel
Cantilever length	150mm
Suitable for Tray width	75 - 100mm



## Dimensions



## Recommended Safe Loads (kg)

x (m)	Total Uniformly Distributed Load (kg)	Concentrated Load (kg)
0.10	684	342
0.15	608	342
0.20	542	283
0.25	452	226
0.30	377	188
0.35	323	162
0.40	283	141
0.45	251	126
0.50	226	113
0.55	206	103
0.60	188	94
0.65	174	87
0.70	162	81
0.75	151	75