

Product Data Sheet



| | | | |
|-----------------|-----------|-----------------|--------------|
| Product Code: | Issue No. | Issue Date: | Issue by: |
| TC103-30 | A | 03.10.09 | D.B.P |

Description

Light Duty Cantilever Arm Support - 300mm

Features

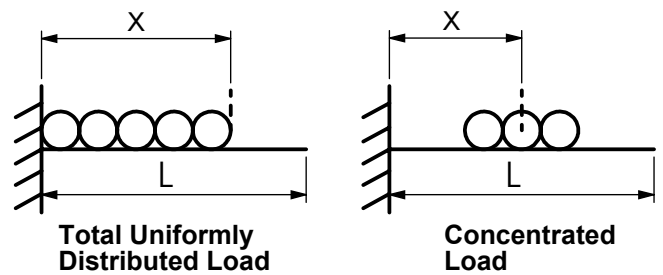
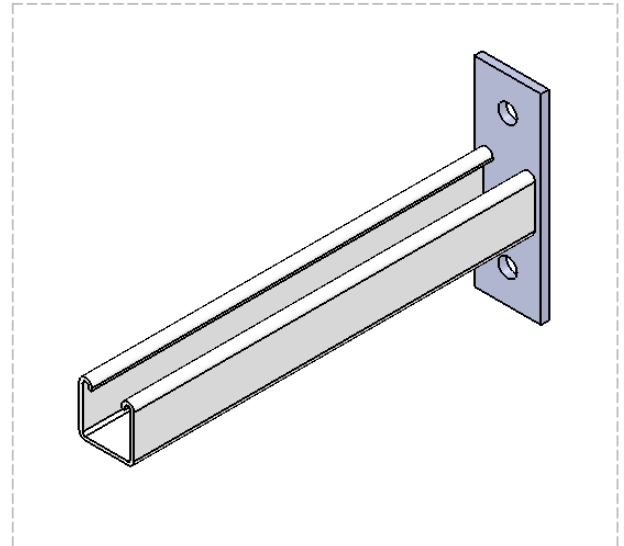
Brackets are designed to comply with BS6946

Manufactured from 6mm thick steel

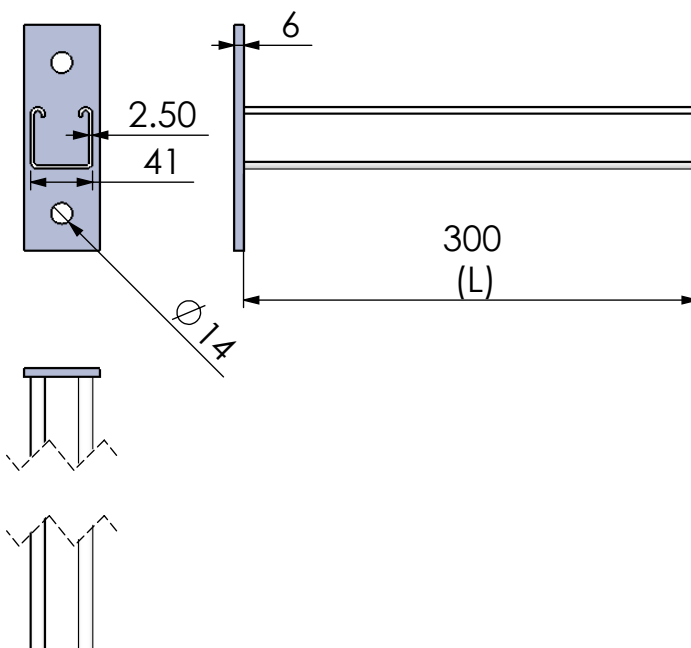
Special Finish: All channel brackets are post hot dipped galvanised to BS729

General Characteristics

| | |
|-------------------------|---|
| Material | Low carbon steel strip (BSEN10142:2000) |
| Finish | Hot Dipped Zinc |
| Cantilever Arm | 41 x 41mm strut 2.5mm channel |
| Cantilever length | 300mm |
| Suitable for Tray width | 150 - 225mm |



Dimensions



Recommended Safe Loads (kg)

| x (m) | Total Uniformly Distributed Load (kg) | Concentrated Load (kg) |
|-------|---------------------------------------|------------------------|
| 0.10 | 684 | 342 |
| 0.15 | 608 | 342 |
| 0.20 | 542 | 283 |
| 0.25 | 452 | 226 |
| 0.30 | 377 | 188 |
| 0.35 | 323 | 162 |
| 0.40 | 283 | 141 |
| 0.45 | 251 | 126 |
| 0.50 | 226 | 113 |
| 0.55 | 206 | 103 |
| 0.60 | 188 | 94 |
| 0.65 | 174 | 87 |
| 0.70 | 162 | 81 |
| 0.75 | 151 | 75 |