

# Product Data Sheet



|                 |           |                 |              |
|-----------------|-----------|-----------------|--------------|
| Product Code:   | Issue No. | Issue Date:     | Issue by:    |
| <b>TC103-60</b> | <b>A</b>  | <b>03.10.09</b> | <b>D.B.P</b> |

Description

**Light Duty Cantilever Arm Support - 600mm**

## Features

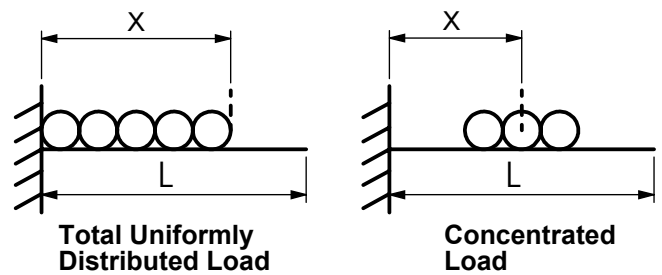
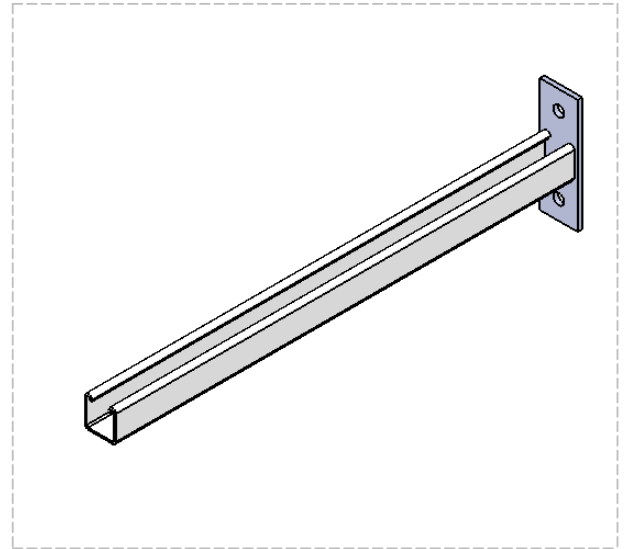
Brackets are designed to comply with BS6946

Manufactured from 6mm thick steel

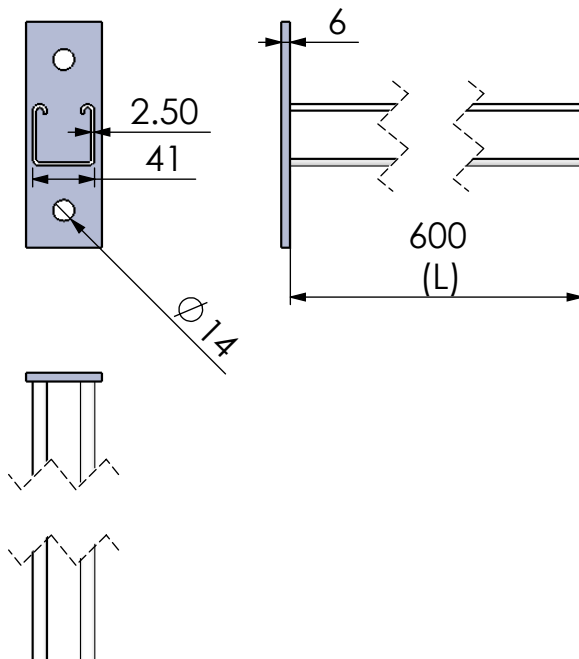
Special Finish: All channel brackets are post hot dipped galvanised to BS729

## General Characteristics

|                         |   |
|-------------------------|---|
| Material                | Low carbon steel strip (BSEN10142:2000) |
| Finish                  | Hot Dipped Zinc                         |
| Cantilever Arm          | 41 x 41mm strut 2.5mm channel           |
| Cantilever length       | 600mm                                   |
| Suitable for Tray width | 450mm                                   |



## Dimensions



## Recommended Safe Loads (kg)

| x (m) | Total Uniformly Distributed Load (kg) | Concentrated Load (kg) |
|-------|---------------------------------------|------------------------|
| 0.10  | 684                                   | 342                    |
| 0.15  | 608                                   | 342                    |
| 0.20  | 542                                   | 283                    |
| 0.25  | 452                                   | 226                    |
| 0.30  | 377                                   | 188                    |
| 0.35  | 323                                   | 162                    |
| 0.40  | 283                                   | 141                    |
| 0.45  | 251                                   | 126                    |
| 0.50  | 226                                   | 113                    |
| 0.55  | 206                                   | 103                    |
| 0.60  | 188                                   | 94                     |
| 0.65  | 174                                   | 87                     |
| 0.70  | 162                                   | 81                     |
| 0.75  | 151                                   | 75                     |