



Product Code:

MMF75

Product Range:

Cable Tray

Issue:

A

Tamlex Data Sheet

Description:

75 mm Medium Duty 25 mm Return Flange (3m Length)

Features:

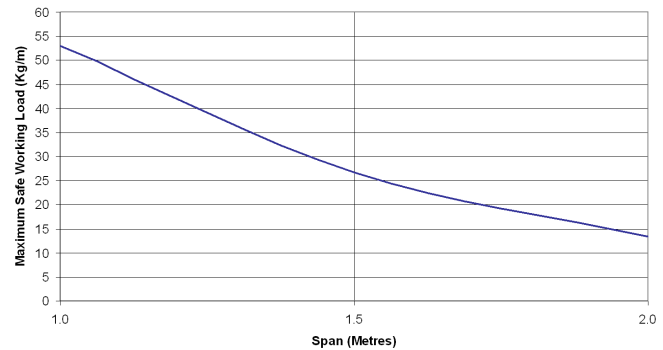
- MMF 25 mm deep returned flange cable tray is an ideal light weight cable tray for medium duty indoor use.
- Hole pattern designed to provide maximum flexibility for positioning cable ties etc.
- Couplers are fitted inside tray and are supplied as pairs without fixings.
- Return Flanged tray couplers do not require the tray to be drilled even when it has been cut.
- Assembly nuts and bolts are supplied separately (Cat No.TF025)



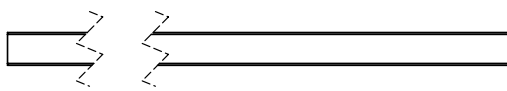
Technical:

Height	25 mm
Width	75 mm
Length	3 m
Material	Steel
Finish	Pre galvanised steel
Type	Cable Tray
Standard	BS EN 10346

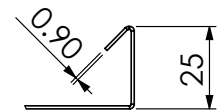
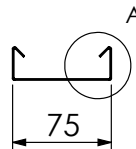
Load Testing Data:



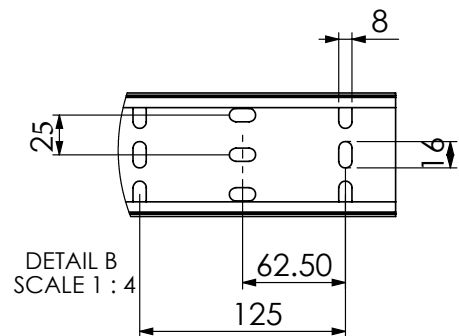
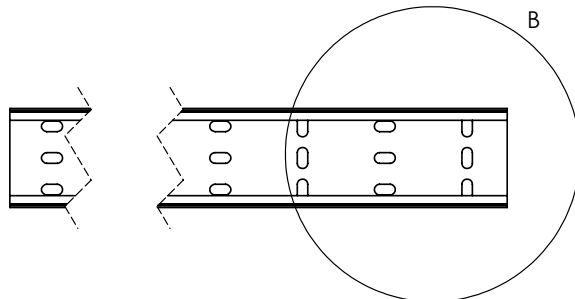
Dimensions:



Length = 3m



DETAIL A
SCALE 1 : 2



DETAIL B
SCALE 1 : 4