



Product Code:

TSK82EB

Product Range

Skirting Trunking Accessory

Issue Number:

B

Issue Date:

03/07/2023

Tamlex Data Sheet

Description:

200 mm x 60 mm Chamfered Skirting External Bend
2 Compartment

Features:

- Available in square dado and chamfered skirting
- Ideal solution for high traffic environments such as hospitals, laboratories and universities
- Wide variety of colours are available for that high quality finish
- Supplied complete with lid and fixing screws
- Lid designed to fit over trunking lid to provide an IP4X compliant seal. (No additional joint covers required)
- Compliance: Cat6a



Technical:

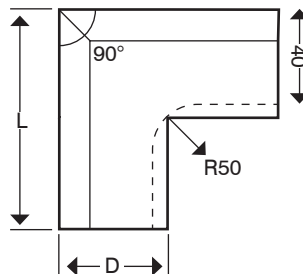
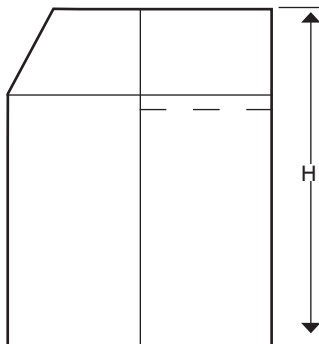
Height	200 mm
Depth	60 mm
Length	110 mm
Material	Pre-Galvanised Steel
Finish	Powder Coated White RAL 9016
Colour	White
Trunking Type	Perimeter Skirting Trunking Accessory
Standard	BS EN 10346
Guarantee	1 Year
No. of Compartments	2
Weight	3.03 kg
Supplied With	Lid and Fixings Screws
Compliance	Cat6a

Important:

Trunking is designed such that the main body carries the weight of cables. Trunking should NOT be installed in any way that causes the lid to carry the cable weight.

Ensure clearance between trunking body and floor finish is allowed for fitment of lid, cover straps and accessories.

Dimensions:



Compartments:

